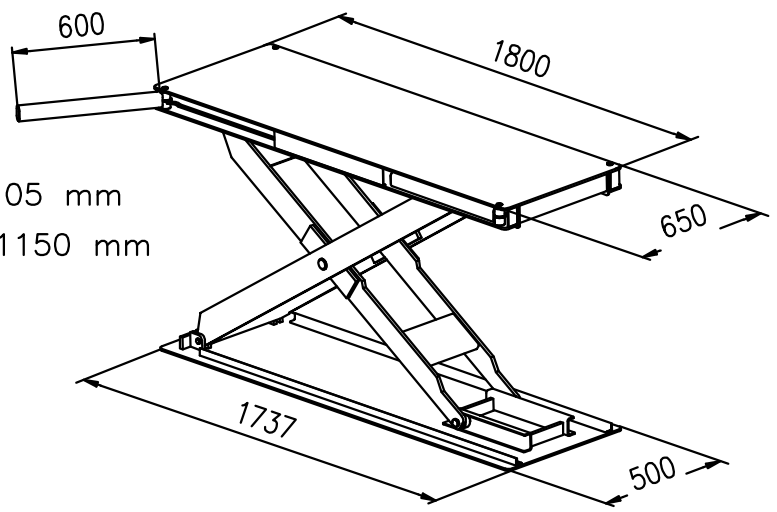


Misure Base UTS  
 UTS Base Dimensions

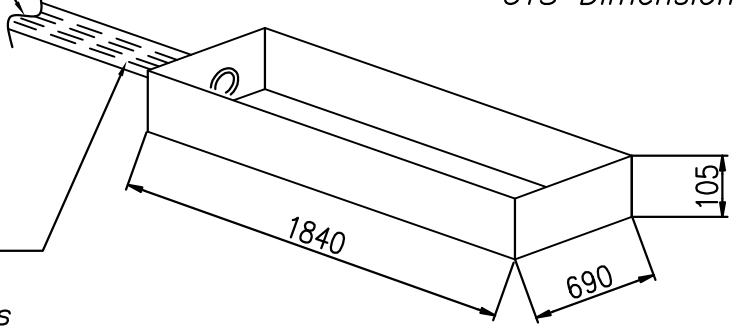


H. Min. 105 mm  
 H. Max. 1150 mm

Ingombri UTS  
 UTS Dimensions

$\phi 62$  mm  
 Interno Min.  
 Min. Internal

L. 6000 mm  
 Tubi Idraulici  
 Hydraulic pipes



Vasca Cemento Incasso UTS  
 UTS Concrete Tank