



MANUALE D'ISTRUZIONI INSTRUCTION MANUAL



ELECTRO POWER IC

INNOVATION COMPACT

REV.00 DEL 02-12-2013

- Do not store the battery cartridge in locations where the temperature may reach or exceed +50°C (122°F).
- Do not use the battery charge in containers of any kind, it must be placed in a well ventilated area during charging.
- Do not use the battery charger in the presence of gases or flammable liquids.
- Do not allow untrained personnel to use the battery charger.
- Keep the electric cable far from heat, oil and sharp edges.
- Use outdoor extension leads when the battery charger is used outdoors.
- Do not remove any cover or screw to ensure the functioning of the battery charger.
- Do not clean any plastic parts with solvents such as gasoline, thinner, alcohol, ammonia, etc. Use a soft cloth lightly wet with soap water.

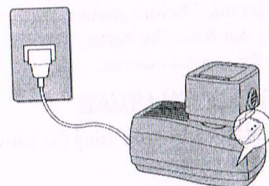
USE:

6. Before charging a battery taken out from the tool, let it cool for about one hour, otherwise the led on the battery charger will become immediately green. In the meantime, use the supplied extra battery.
7. If you have to charge both batteries wait at least 15 minutes between the two charges.
8. Check that the plug is inserted correctly to the power supply, the battery can be inserted only bringing into line the cartridge with the seat in the battery charger (see figure n. 2)
9. A coloured led will show the charge condition of the battery (see figure n. 3): red light (battery is charging), green light (battery is charged)
10. After charging the battery, disconnect the battery charger from the power supply

FIGURA 2



FIGURA 3



PUSH-BUTTONS

SAFETY RULES:

- Never invert the rotation when the tool is functioning.

USE:

4. To start operating the tool push the front button on the handgrip, the tool fastness increases as much as the pressure on the button (see figure n. 4)
5. To invert the direction of the rod press on the button on the side of the handgrip (see figure n. 5), the rotation directions are indicated on the button.
6. Always check the direction of the rotation before any operation.

ESPLOSO ELECTRO POWER

EP.01/IC

POS.	CODICE	DESCRIZIONE	Q.TA'
1	EP.20	STELO	1
2	EP.21	CHIAVETTA	1
3	1D.11	VITE T.P.SE.I	2
4	EP.19	CANNA	1
5	EP.02/IC	TAPPO ANTERIORE	1
6	37A.25	RALLA SPALLAMENTO	4
7	37A.23	CUSCINETTO	2
8	EP.07	VITE x STELO	1
9	EP.06/IC	TIRANTE	4
10	EP.04/IC	PROTEZIONE AVVITATORE	1
11	22Z.01	AVVITATORE	1
12	EP.05/IC	ANELLO INTERNO	1
13	EP.03/IC	TAPPO POSTERIORE	1
14	3A.04	RONDELLA	4
15	2C.04	DADO CIECO	4

1. GENERAL NOTICE

Before using this tool, read this manual carefully and follow the instructions you will find in it .

The instruction manual must follow the equipment also in case of its transfer.

Before putting in operation the equipment verify that it has not been damaged during transport, in case of visible damages notify them to the transport company, do not use the equipment and contact the manufacturer for information and instructions. The manufacturer declines any responsibility for the non-observance of what has been written in this handbook

2. STORAGE AND UNPACKAGE

If the tool is used after some time it has been bought, a general check of the correct preservation of the product must be done. Use the tool only after being sure of its efficiency. The tool must be used in workshops properly protected by atmospheric phenomena and with a temperature between +10°C and +40°C. It is advisable to put the carton packages one upon another up to a maximum of 6 pieces, the carton boxes must be scrapped according to the legal regulations of each country.

3. GENERAL FEATURES

Electro Power IC is designed and intended for the repairing of damaged vehicles in CAR-BODY SHOPS. It is the only pushing-pulling system able to develop a 5 ton capacity in both directions, pushing and pulling – the changes in capacity depend on the battery charge level. Thanks to its reduced dimensions and a great ease of handling due to the electrical battery, it avoids cables and feed hoses that could obstruct the various operations of the repairer.

BATTERY

WARNING!!! Before using the battery, read all the safety rules listed below and those stated on the battery label carefully.

SAFETY RULES:

- To reduce the risk of damage, only use batteries supplied by the manufacturer.
- Do not expose battery to rain.
- While repairing do not disassemble the battery, if the reassembling is incorrect may cause electric short circuit or fire. Make the reparation at a qualified service centre.
- Do not charge the battery when the temperature is below +10°C(50°F) or above +40°C(104°F)
- Always cover the battery terminals with the proper cover when the battery cartridge is not in use.
- Avoid storing the battery cartridge in a container with other metal objects.
- Avoid storing the tool and the battery cartridge in locations where the temperature may reach or exceed +50°C (122°F).
- Do not burn the battery if damaged or completely worn out; it may explode.
- Do not charge the battery in a box or container of any kind. The battery must be placed in a well ventilated area during charging.
- Do not use the battery if gas or inflammable liquids are in the location.
- Place the unused battery in a dry location and out of the reach of children.
- Do not remove any cover or screw to ensure the functioning of the battery.
- Do not clean plastic parts with solvents such as gasoline, thinner, alcohol, ammonia, etc. it may cause damage or crack the plastic parts. Use a soft cloth lightly wet with soap water.
- Always disconnect the battery charger from the power source before inserting or removing the battery.

MODEL : 22Z.01

COD.	NO.	PARTS NAME	Q
22Z.02	1	FRONT COVER ASS'Y	1
22Z.03	2	WASHER	1
22Z.04	3	FRONT IMPACT ASS'Y	1
22Z.05	4	REAR IMPACT ASS'Y	1
22Z.06	5	RING GEAR	1
22Z.07	6	O-RING	1
22Z.08	7	MOTOR FIXITY ASS'Y	1
22Z.09	8	RUBBER WASHER	1
22Z.10	9	MOTOR ASS'Y	1
22Z.11	10	CARBON BRUSH ASS'Y	2
22Z.12	11	FORWARD/REVERSE ROD	1
22Z.13	12	SWITCH	1
22Z.14	13	TRIGGER	1
22Z.15	14	THERMAL CONDUCTIVE PAD	1
22Z.16	15	PCB ASS'Y	1
22Z.17	16	LED	1
22Z.18	17	HOUSING-L&R	1
22Z.19	18	CARBON BRUSH COVER	2
22Z.20	19	HOUSING SCREW	10
22Z.21	20	HOUSING CLIP	1
22Z.22	21	HOUSING LABEL-R	1
21G.05	22	BATTERY PACK	1
22Z.23	23	FUEL GAUGE LABEL	1
22Z.24	24	BATTERY LABEL	1
22I.01	25	CHARGER	1
22Z.25	26	CHARGER UPPER LABEL	1
22Z.26	27	CHARGER LOWER LABEL	1
22I.02	28	POWER CORD	1
22I.02/UK	28	POWER CORD MOD. UK	OPT.
22I.02/USA	28	POWER CORD MOD. USA	OPT.
22Z.27	29	HOOK(OPTIONAL)	1

7. MANUTENZIONE

Si raccomanda di eseguire le operazioni di manutenzione solo dopo aver letto con attenzione l'intero manuale ed aver appreso con l'uso pratico il funzionamento dell'attrezzatura. Le operazioni descritte di seguito sono le sole che l'utilizzatore è autorizzato ad eseguire, qualsiasi altro intervento sull'attrezzatura equivarrà a manomissione e comporterà l'automatica decadenza della garanzia.

- Ogni operazione di manutenzione va eseguita dopo aver disconnesso la batteria dall'attrezzatura.
- Controllare periodicamente che i dadi non siano allentati e l'attrezzatura danneggiata.
- Lubrificare periodicamente con del grasso la guida della chiavetta sullo stelo.
- Controllare che le filettature sull'attrezzatura e sugli accessori non siano sciupate.
- Pulire periodicamente con cura l'attrezzatura, asportando sporco, polvere e eventuali sostanze imbrattanti e scivolose. Utilizzare panni autopulenti, non utilizzare acqua, liquidi infiammabili o corrosivi.

8. ESPLOSI E PARTI DI RICAMBIO

ESPLOSO KIT COMPLETO ELECTRO POWER IC

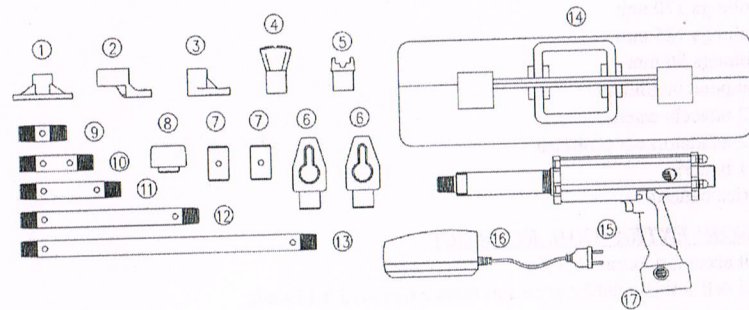
KET/IC			
			
POS.	CODICE	DESCRIZIONE	Q.TA'
1	EP.09	BASE DI APPOGGIO	1
2	40.02	COLLARE A VISIERA	1
3	EP.10	BASE A SBALZO	1
4	EP.11	PUNZONE A CUNEO	1
5	EP.12	PUNZONE A 4 PUNTE	1
6	EP.18	ATTACCO CATENA	2
7	EP.24	ADATTATORE FEMMINA x PROLUNGHE	2
8	EP.25	TAMPONE IN GOMMA	1
9	EP.13	PROLUNGA L.80 mm	1
10	EP.14	PROLUNGA L.125 mm	1
11	EP.15	PROLUNGA L.170 mm	1
12	EP.16	PROLUNGA L.300 mm	1
13	EP.17	PROLUNGA L.500 mm	1
14	49A.03	VALIGIA	1
15	EP.01/IC	ELECTRO POWER IC	1
16	221.01	CARICA BATTERIA 220V	1
17	21G.05	BATTERIA	1

FIGURE 4

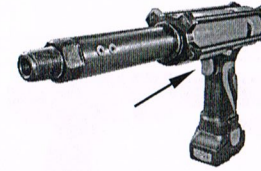
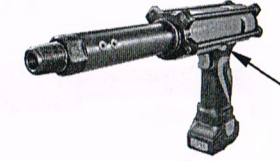


FIGURE 5



4. SAFETY

WARNING!!! The inobservance of the safety rules and basic precautions can cause damages to people and objects.

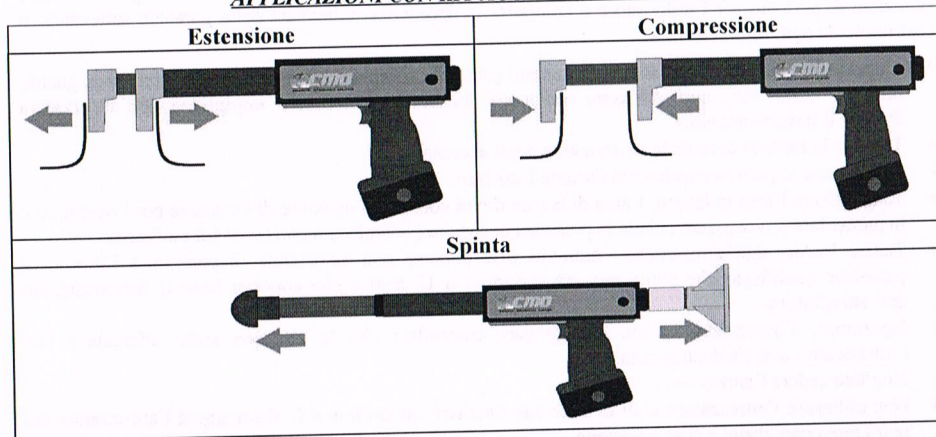
The tampering of the tool or the modification of any of its parts are forbidden. This can cause danger for the operator and an immediate decay of the warranty relieving the manufacturer from any responsibility.

- The operator must wear protective clothing such as safety shoes, gloves, glasses, ear caps, etc., do not wear large clothes that could block the tool during functioning.
- Take the battery away during the replacement of the accessories.
- Do not touch the moving parts during use.
- Keep the working area clear. The working area must allow safety manoeuvres for the operator: in particular the floor must be clear from slippery or corrosive substances.
- Keep the children and the unauthorised people away from the tool. Its use is allowed to qualified personnel, over the age of eighteen and well trained in the tool functioning.
- Check the tool before using it, verify that the screws are not loosen and that the tool is not damaged.
- Do not drop the tool.
- Do not use the tool besides its functioning, a misuse can break the equipment and cause damages to people and objects.
- Do not use the equipment with defective parts.
- Do not disassemble or tamper with the tool, it must be repaired only by qualified personnel.
- Only use accessories or spare parts supplied by the manufacturer not to damage the tool.
- For any spare part or repair, please contact the manufacturer or the dealer the equipment has been bought from.
- After any replacement of damaged parts, check the functioning of the equipment.
- The extensions must be tightened from a minimum of 8,5mm to a maximum of 13mm, the screwing must be forced to allow an efficient blocking.
- Do not use the tool without accessories.
- Do not use the tool to lift loads
- Do not use the tool as a vehicle jack
- Do not place any load at the side of the tool during operations, any load placed at the side may cause serious damages to the equipment, to its accessories and the personnel using it.
- Do not connect more than two extension pipes together, the total length of the connected extensions should be no more than 100 cm.
- Do not operate the tool for a long time at the maximum or minimum stroke position.
- Choose the proper accessories for the damage to be repaired.
- If the equipment stops during a pushing operation and cannot be removed, take the battery cartridge away and carry out the unblocking manoeuvre manually keeping the tool body firmly and turning the cylinder anti-clockwise.

5. PRINCIPALI APPLICAZIONI DELL'ATTREZZATURA

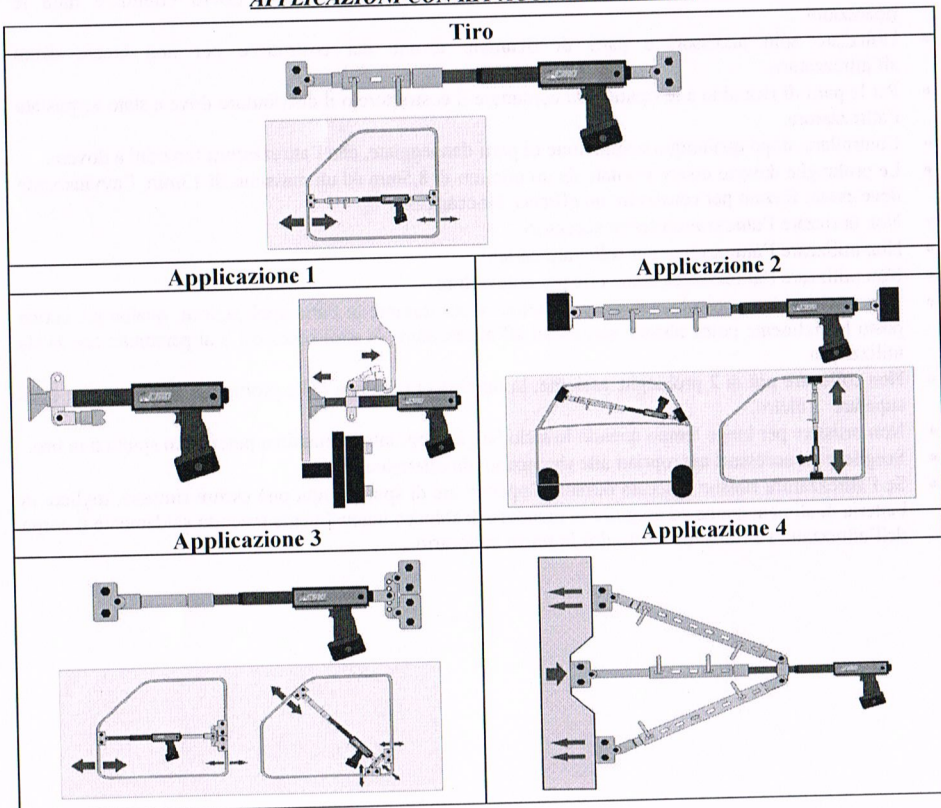
Con il kit accessori standard è possibile eseguire soltanto alcune applicazioni:

APPLICAZIONI CON KIT ACCESSORI STANDARD



N.B. Le applicazioni di seguito possono essere eseguite avendo a disposizione il Kit di accessori extra

APPLICAZIONI CON KIT ACCESSORI EXTRA



6. TECHNICAL FEATURES

STANDARD KIT (COD. KET/IC)

- Pulling Power: 5 Ton.
- Pushing Power: 5 Ton.
- Piston Stroke: 130 mm
- Battery: 14.4 V
- Battery autonomy: 12 pulling and pushing cycles to the maximum power.
- Equipment weight with battery: 3,8 Kg
- Equipment weight without battery: 3,5 Kg
- Standard kit total weight :16,3 Kg
- Standard kit packaging dimensions: 620x425 h.210 mm
- The Kit is composed by:
 - Support base
 - Visor Collar
 - Pivot Support
 - Quoin punch
 - Punch with 4 points
 - Extension 500 mm
 - Extension 300 mm
 - Extension 170 mm
 - Extension 125 mm
 - Extension 80 mm
 - Pad in rubber
 - N°2 fastening chains
 - N°2 adaptors for extension
 - N°1 batteries
 - Battery Charger

EXTRA ACCESSORY KIT (COD. KET/A/IC)

- Extra Accessory kit weight: 18,3 KG.
- Accessory kit Packaging dimensions : 620x425xh.150 mm
- The extra Accessory Kit is composed by:
 - N°2 rubber foot
 - N°2 revolving support for clamps
 - Holed Stirrup 3 holes
 - N°2 fixed supports for clamps
 - Swinging clamp
 - N°2 fixed clamps
 - N°3 pierced extensions 170 mm, 5 holes
 - N°3 pierced extensions 290 mm, 9 holes
 - N°2 supports for holded Stirrup
 - N°2 supports for rubber foot
 - N°10 41 mm Shaft & Pin
 - N°10 L Type pin
 - Propellor
 - Extension 125 mm
 - Extension 170 mm
 - Extension 300 mm
 - Extension 500 mm

- Non rimuovere alcun coperchio o vite per assicurare la funzionalità del carica batteria.
- Non pulire le parti in plastica con solventi come (benzina, diluente, alcool, ammoniaca etc.), utilizzare soltanto un panno inumidito con acqua e sapone.

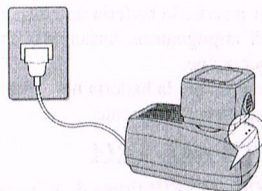
UTILIZZO:

1. Prima di mettere in carica una batteria appena tolta dall'attrezzatura lasciarla raffreddare per circa un ora, altrimenti il led sul carica batteria apparirà verde. Nel frattempo utilizzare l'altra batteria in dotazione.
2. Se occorre effettuare la ricarica di entrambe le batterie bisogna attendere almeno 15 minuti tra una carica e l'altra.
3. Controllare che la spina del carica batteria sia innestata correttamente alla fonte di alimentazione, la batteria può essere inserita soltanto allineando la cartuccia con la sede presente sul carica batteria (Fig.2)
4. Un led colorato indicherà lo stato di carica della batteria (vedi figura n°3): luce rossa (la batteria sta caricando), luce verde (la batteria è carica)
5. Dopo aver caricato la batteria disconnettere il carica batteria dalla fonte di alimentazione.

FIGURA 2



FIGURA 3



PULSANTI

REGOLE DI SICUREZZA:

- Non invertire mai il senso di rotazione quando l'attrezzatura è in funzione.

UTILIZZO:

1. Per avviare l'attrezzatura premere il pulsante frontale sull'impugnatura, la velocità dell'attrezzatura aumenta aumentando la pressione sul pulsante (vedi figura n°4).
2. Per invertire la direzione dello stelo premere il pulsante laterale sull'impugnatura (vedo figura n°5), i sensi di rotazione sono indicati sulla faccia del pulsante.
3. Controllare sempre il senso di rotazione prima di qualunque manovra.

FIGURA 4

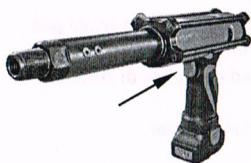
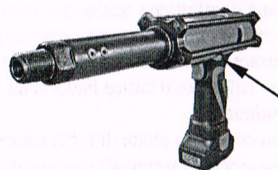
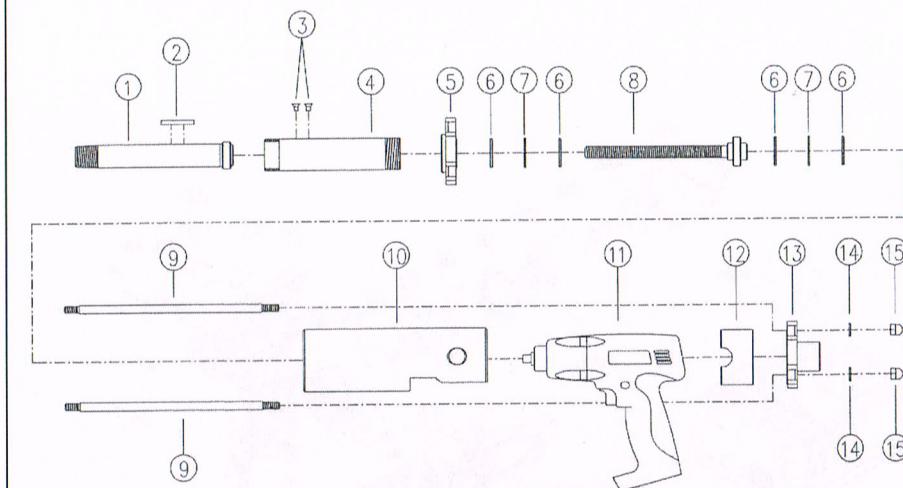


FIGURA 5



ELECTRO POWER EXPLODED VIEW

EP.01



POS.	CODE	DESCRIPTION	Q.TY
1	T.08	STEM	1
2	T.28	KEY	1
3	ID.11	SCREW T.P. SE.I	2
4	T.07	CYLINDER BARREL	1
5	EP.02/IC	ANTERIOR PLUG	1
6	37A.25	SHOULDER FOOTSTEP	4
7	37A.23	BEARING	2
8	EP.07	SCREW FOR STEAM	1
9	EP.06/IC	TIE BAR	4
10	EP.04/IC	GUARD DRIVEN	1
11	22Z.01	DRIVEN	1
12	EP.05/IC	INTERNAL RING	1
13	EP.03/IC	POSTERIOR PLUG	1
14	3A.04	RING	4
15	2C.04	ACORN NUT	4

DICHIARAZIONE DI CONFORMITA' CE - DECLARATION OF CONFORMITY CE

Fabbricante - Manufacturer

C.M.O. di Sodini Dino e c. s.n.c. Via Aurelia Ovest, ex Area Fibronit - 54100 Massa (Italia)

Fascicolo Tecnico e Dichiarazione di Conformità a cura di:

Technical Documentation and Declaration of conformity by:

C.M.O. di Sodini Dino e c. s.n.c., Legale Rappresentante Dino Sodini,
domiciliato in Via Aurelia Ovest, ex Area Fibronit - 54100 Massa (Italia)

Denominazione della macchina e funzione- Name of machinery and function:

ELETTRO POWER IC - ATTUATORE LINEARE A BATTERIA PER TIRO E SPINTA NELLA RIPARAZIONE DEGLI
AUTOVEICOLI CORREDATO DA ACCESSORI PER MESSA IN OPERA

Numero di serie e anno di costruzione - Serial number and year of construction

14390, 2015

Il fabbricante dichiara che la macchina corredata dalla presente Certificazione è conforme a tutte le disposizioni della
Direttiva Macchine 2006/42/CE, concernente il ravvicinamento delle legislazioni degli stati membri relative alle macchine,
entrata in vigore dal 29.12.2009. Dichiara altresì la conformità alle seguenti Norme e Direttive Comunitarie:

Norma Uni En 982/2007 - Direttiva Bassa Tensione 2006/95/2009 - Direttiva compatibilità Elettromagnetica 89/336/CEE
modificata e integrata da 92/31/CEE Aprile 1992

The manufacturer declares that the machine with the present certification complies all the dispositions of 2006/42/CE
(machinery directives), regarding the uniformation of all the Countries members' laws about the machinery of 29th
December 2009. Also declares that complies all the dispositions of:

Low Uni En 892/2007 - Low Voltage Directive 2006/95/2009 - Eletromagnetic Compatibility
89/336/ CEE Amended and Supplemented 92/31 CEE April 1992

La presente dichiarazione riguarda esclusivamente il prodotto descritto e non le altre macchine e/o le attrezzature in cui verrà
eventualmente incorporato. This declaration is just for the product described below and not for the other equipments on
which it will be eventually assembled.

Massa, 10/15

Nome, firma e timbro equivalente alla persona autorizzata.

Name, signature and stamp of the authorised person.

C.M.O. di Sodini Dino e C. s.n.c.
Via Aurelia Ovest (Ex Area Fibronit)
54100 Massa
Tel. 0585 633800 Fax 0585 633777
C.F. e P.IVA: 7602220451

L'Amministratore Dino Sodini

**LEGGERE ATTENTAMENTE QUESTO MANUALE PRIMA
DELL'UTILIZZO DELL'ATTREZZATURA.**

**PLEASE READ THIS MANUAL CAREFULLY BEFORE USING
THIS TOOL**